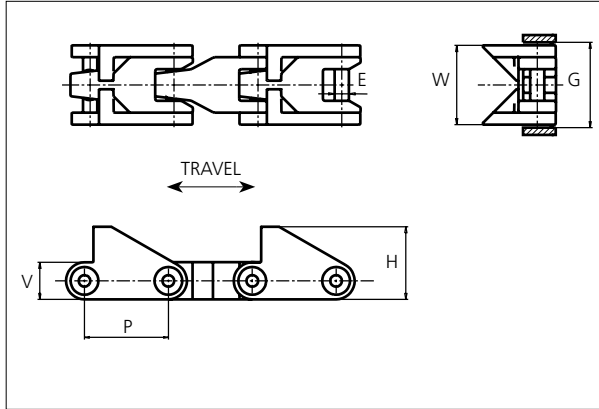


uni Flex Plastic Chain

Series **uni 2600** Type **OV**



uni Flex Plastic Chain
 Straight running
 Pitch: 63.5 mm (2.50 in)
 Backflex radius:
 75.0 mm (3.00 in)
 Permissible tensile strength:
 POM material:
 4500 N (1012 lbf)

 Standard shipping lengths:
 boxes of 96 links
 = 6.096 m (20.0 ft)

NON STANDARD

E		G		H		P		V	
mm	in	mm	in	mm	in	mm	in	mm	in
11.0	0.43	64.0	2.25	55.0	2.17	63.5	2.50	28.4	1.12

All dimensions are for chains in POM material.

Nominal width (W)		Recommended Material & color	Recommended Pin material	Weight	
mm	in			kg/m	lb/ft
61.5	2.42	POM-D W	SS431	2.0	1.34

Non standard material and color: See uni Material and Color Overview.

Non standard pin material: See uni Material and Color Overview.

STRAIGHT RUNNING

PITCH 63.5 MM/2.50 IN



Sprocket

No of teeth	Pitch diameter		Overall-diameter		Min. ø bore		Max. ø bore		Hub-diameter		Dimension A		Dimension B		PA6 LG	Cast iron	SS304
	mm	in	mm	in	mm	in	mm	in	mm	in	mm	in	mm	in	Molded	Molded	Machined
Z6	127.0	5.00	128.0	5.04	20.0	0.79	40.0	1.57	63.0	2.48	40.8	1.61	78.1	3.07	✓	✓	
Z8	165.9	6.53	168.9	6.65	20.0	0.79	50.0	1.97	73.5	2.89	62.5	2.46	97.5	3.84	✓	✓	✓
Z10	205.5	8.09	210.5	8.29	20.0	0.79	50.0	1.97	73.5	2.89	83.5	3.29	117.2	4.61	✓	✓	
Z11	225.4	8.87	231.4	9.11	20.0	0.79	50.0	1.97	73.5	2.89	93.9	3.70	127.1	5.00	✓	✓	

Machined sprocket



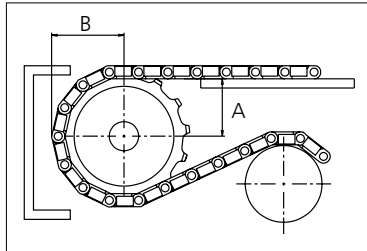
Cast iron sprocket



SS304 sprocket



Non standard material and color:
See uni Material and Color Overview.



Please ensure that sufficient size shaft and keyway are chosen for corresponding load.

Other sprocket sizes are available upon request

Width of tooth: 11.0 mm/0.43 in

Width of sprocket: 42.3 mm/1.66 in

Width of cast iron sprocket: 41.3 mm/1.63 in

uni Retainer Rings: See uni Retainer Ring data sheet