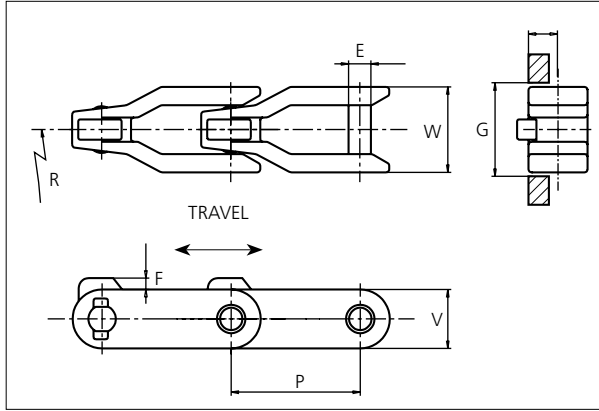


uni Flex Plastic Chain

Series **uni 2600** Type **O M**



uni Flex Chains
 Side flexing chain
 Pitch: 63.5 mm (2.50 in)
 Backflex radius:
 75.0 mm (3.00 in)
 Permissible tensile strength:
 POM material:
 4500 N (1012 lbf)

 Standard shipping lengths:
 boxes of 96 links
 = 6.096 m (20.0 ft)

NON STANDARD

E		F		G		P		V		W	
mm	in	mm	in	mm	in	mm	in	mm	in	mm	in
11.0	0.43	5.6	0.22	44.5	1.75	63.5	2.50	28.4	1.12	42.0	1.65

All dimensions are for chains in POM material.

Nominal width (W)		Material & color	Pin material	Weight		Min. radius (R)	
mm	in			kg/m	lb/ft	mm	in
42.0	1.65	POM-D W G B	SS431	1.3	0.87	600	23.62

Non standard material and color: See uni Material and Color Overview.
 Non standard pin material: See uni Material and Color Overview.

SIDE FLEXING

PITCH 63.5 MM/2.50 IN

Sprocket

No of teeth	Pitch diameter		Overall-diameter		Min. \varnothing bore		Max. \varnothing bore		Hub-diameter		Dimension A		Dimension B		PA6	Cast iron	SS304
	mm	in	mm	in	mm	in	mm	in	mm	in	mm	in	mm	in	Molded	Molded	Machined
Z6	127.0	5.00	128.0	5.04	20.0	0.79	40.0	1.57	63.0	2.48	40.8	1.61	78.1	3.07	✓	✓	
Z8	165.9	6.53	168.9	6.65	20.0	0.79	50.0	1.97	73.5	2.89	62.5	2.46	97.5	3.84	✓	✓	✓
Z10	205.5	8.09	210.5	8.29	20.0	0.79	50.0	1.97	73.5	2.89	83.5	3.29	117.2	4.61	✓	✓	
Z11	225.4	8.87	231.4	9.11	20.0	0.79	50.0	1.97	73.5	2.89	93.9	3.70	127.1	5.00	✓	✓	

Non standard material and color:
See uni Material and Color Overview.

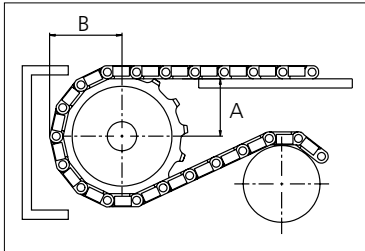
Machined sprocket



Cast iron sprocket



SS304 sprocket



Please ensure that sufficient size shaft and keyway are chosen for corresponding load.

Other sprocket sizes are available upon request.

Width of tooth: 11.0 mm/0.43 in

Width of sprocket: 42.3 mm/1.66 in

Width of cast iron sprocket: 41.3 mm/1.63 in

uni Retainer Rings: See uni Retainer Ring data sheet.