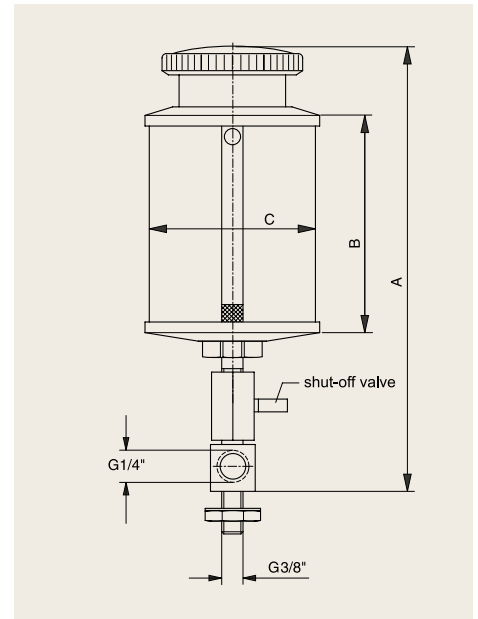


TYPE MOS

Stained brass

- Open + close function via shut-off valve
- Medium dosing via additional oil dispenser type ETR and MTR



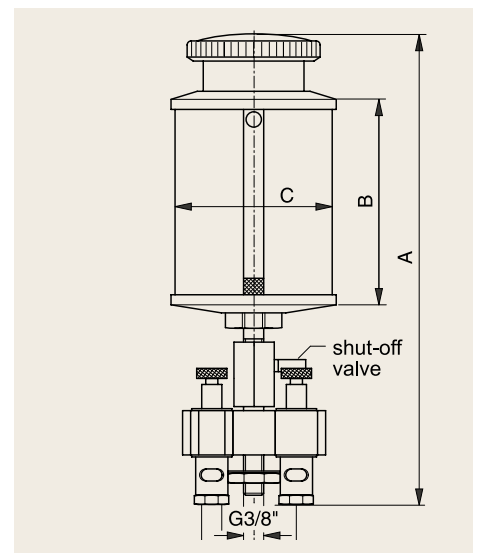
Type	A*	B*	C*	Capacity	Plexiglas article no.	Natural glass article no.
MOS 140	165	60	60	140ml	311 300 001	311 300 002
MOS 200	185	80	60	200ml	311 300 003	311 300 004
MOS 500	220	100	80	500ml	311 300 005	311 300 006
MOS 1000	240	120	100	1000ml	311 300 007	311 300 008
MOS 2000	295	150	133	2000ml	311 300 009	311 300 010
MOS 3000	315	180	150	3000ml	311 300 011	311 300 012

* All dimensions in mm

TYPE MTM

Stained brass

- Open + close function via shut-off valve
- Distributor battery (2 to 12 oil dispensers) with regulating spindle for precise drip dosing
- Good visual control of dripage
- Dosing possible for each individual lubricating point



Type	A*	B*	C*	Capacity	Plexiglas article no.	Natural glass article no.
MTM 140/2	195	60	60	140ml	311 400 001	311 400 002
MTM 200/2	215	80	60	200ml	311 400 003	311 400 004
MTM 500/2	250	100	80	500ml	311 400 005	311 400 006
MTM 1000/2	270	120	100	1000ml	311 400 007	311 400 008
MTM 2000/2	305	150	133	2000ml	311 400 009	311 400 010
MTM 3000/2	345	180	150	3000ml	311 400 011	311 400 012
Add-on lubricating point					312 200 009	312 200 010

* All dimensions in mm

The minimum adjustment possibility is one to two drips per minute. 45 drips correspond approx. 1 ml of lubricant.