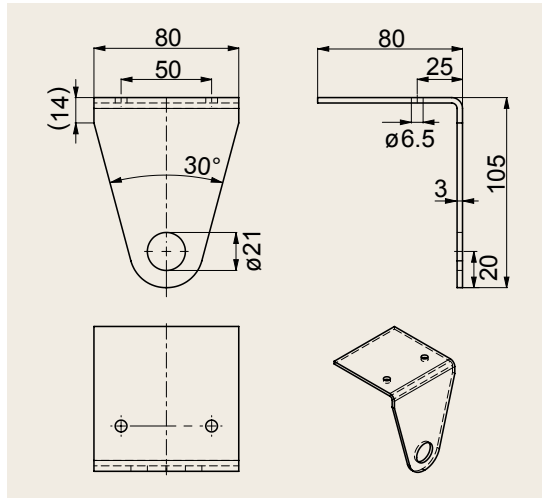
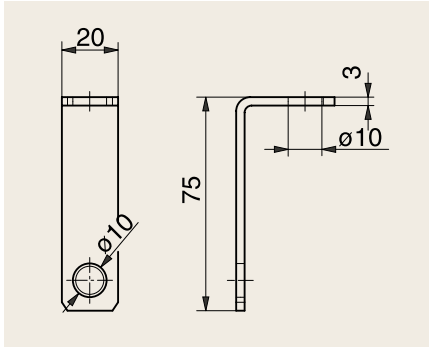


FASTENING BRACKETS, BRUSH HOLDERS, MOUNTING RAILS

Fastening bracket BWK

Galvanized steel, for brush holder PHA
Article no.: 313 600 001

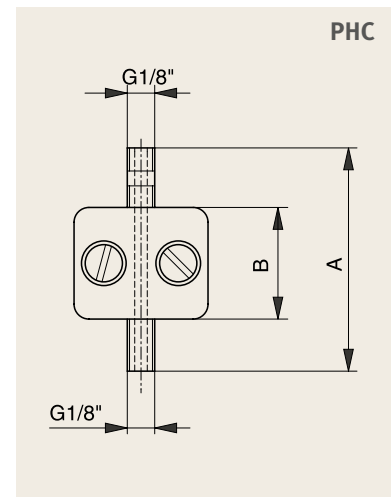
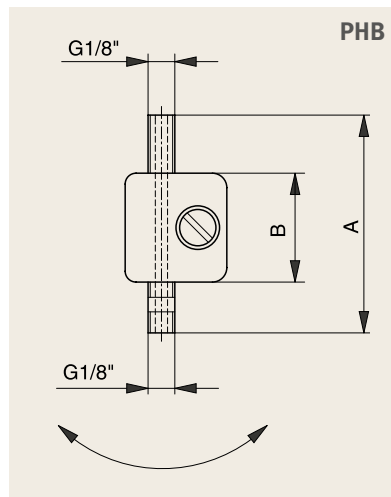
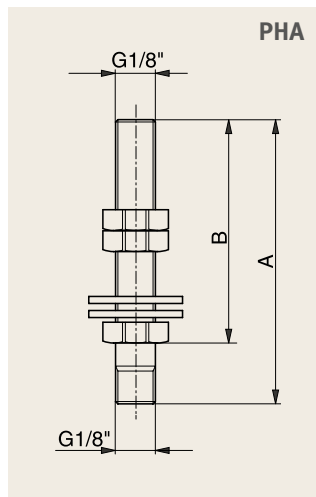


Fastening bracket BWG

Galvanized steel, for oil reservoirs up to 3,000 ml,
L = 105 mm
Article no.: 313 600 004

Brush holder

Brass, nickel-plated

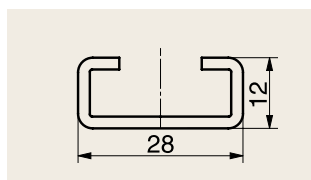


	Type	A*	B*	Thread	Article no.
Height adjustment via thread	PHA 60	60	47	G 1/8"	313 000 001
	PHA 80	80	47	G 1/8"	313 000 002
	PHA 120	120	47	G 1/8"	313 000 003
Height adjustment via clamping device; for attachment on a mounting rail; pivotable	PHB 60	60	30	G 1/8"	313 000 004
	PHB 80	80	30	G 1/8"	313 000 005
	PHB 120	120	30	G 1/8"	313 000 006
Rigid design; height adjustment via clamping device	PHC 60	60	30	G 1/8"	313 000 007
	PHC 80	80	30	G 1/8"	313 000 008
	PHC 120	120	30	G 1/8"	313 000 009

* All dimensions in mm

Mounting rail

Steel type C5, galvanized – or in stainless steel, for PHB and PHC. Standard length 2 m, other lengths on request



Steel C section, type C5, galvanized
2,000mm long, tolerances in accordance
with DIN 59413

Article no.: 351 020 005 In V2A: 351 020 105