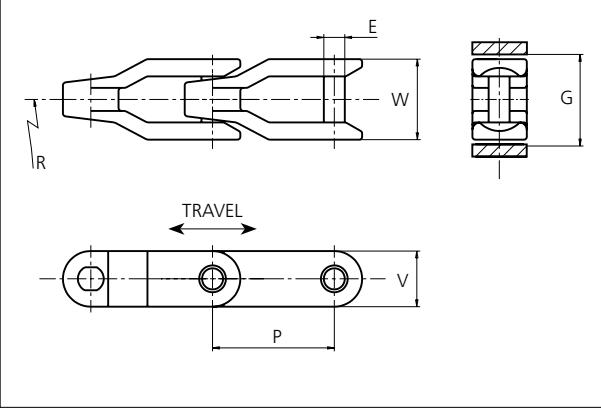


uni Flex Plastic Chain

Series **uni 2600** Type **O**



uni Flex Chains
 Side flexing chain
 Pitch: 63.5 mm (2.50 in)
 Backflex radius: 75.0 mm (3.00 in)
 Permissible tensile strength:
 POM material: 6000 N (1349 lbf)

 Delivery: 6.1 m (20.0 ft)
 No. of links/box: 96

E		G		P		V	
mm	in	mm	in	mm	in	mm	in
11.0	0.43	44.5	1.75	63.5	2.50	28.4	1.12

All dimensions are for chains in POM material.

Width (W)		Material & color	Pin material	Weight		Min. radius (R)	
mm	in			kg/m	lb/ft	mm	in
42.0	1.65	POM-D W G B	SS304	1.3	0.87	600	23.62

Non standard material and color: See uni Material and Color Overview.
 Non standard pin material: See uni Material and Color Overview.

STANDARD

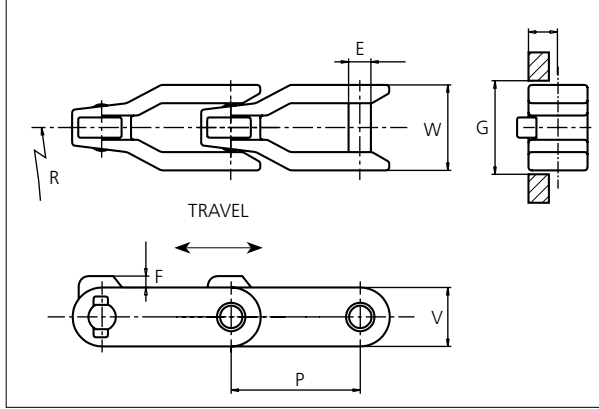
SIDE FLEXING

PITCH 63.5 MM/2.50 IN



uni Flex Plastic Chain

Series **uni 2600** Type **O M**



uni Flex Chains
 Side flexing chain
 Pitch: 63.5 mm (2.50 in)
 Backflex radius: 75.0 mm (3.00 in)
 Permissible tensile strength:
 POM material: 6000 N (1349 lbf)

 Delivery: 6.1 m (20.0 ft)
 No. of links/box: 96

NON STANDARD

E		F		G		P		V		W	
mm	in	mm	in	mm	in	mm	in	mm	in	mm	in
11.0	0.43	5.6	0.22	44.5	1.75	63.5	2.50	28.4	1.12	42.0	1.65

All dimensions are for chains in POM material.

Nominal width (W)		Material & color	Pin material	Weight		Min. radius (R)	
mm	in			kg/m	lb/ft	mm	in
42.0	1.65	POM-D W G B	SS304	1.3	0.87	600	23.62

Non standard material and color: See uni Material and Color Overview.
 Non standard pin material: See uni Material and Color Overview.

SIDE FLEXING

PITCH 63.5 MM/2.50 IN





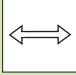
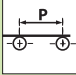

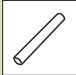
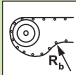



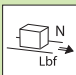
La cadena uni 2600-OV es ideal para el transporte inclinado de objetos voluminosos. Esta cadena tiene la misma fuerza que la uni 2600-O.

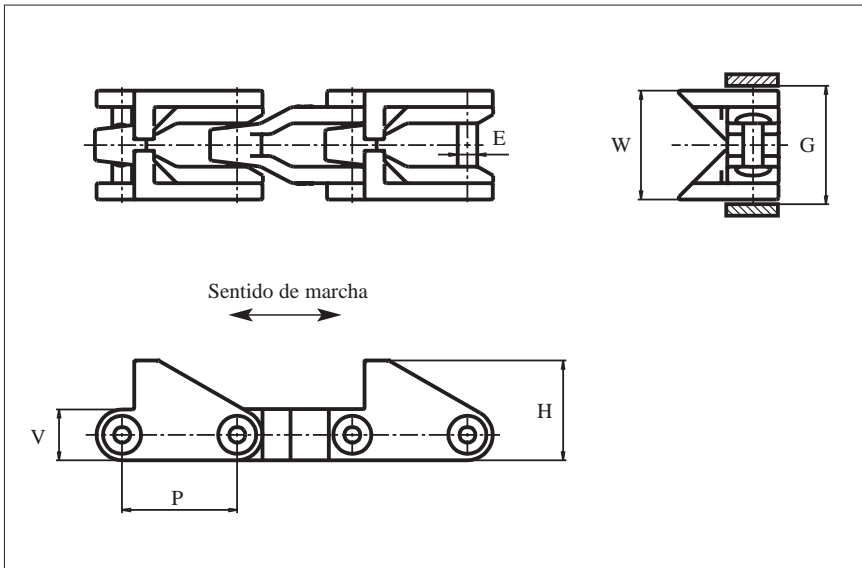
La distancia mínima entre soportes es de dos pasos (127 mm o 5 pulgadas).

La cadena uni 2600-OV es de tramo recto, debido a los soportes.

uni 2600-OV

Cadenas uni Flex • Plástico

-  Tramo recto
-  63.5 mm (2.50 pulgadas)
-  Ver pág. 14
-  **SS304** Ver pág. 13
-  75 mm (3.0 pulgadas)
-  Ver pág. 113
-  Ver pág. 120
-  6.1 m = 20 ft
N° eslabones/caja: 96
-  POM: 6000 N (1349 lbf)



	mm	pul.		mm	pul.
E	11.0	0.43	P	63.5	2.50
G	64.0	2.52	V	28.4	1.12
H	55.0	2.17	-	-	-

Todas las dimensiones son para cadenas en acetal (POM).

Los artículos con referencia uni en **negrita** son estándar.
Los artículos con referencia uni en *cursiva* se suministran bajo pedido.

	referencia uni	ancho W		peso*	
	POM-D	mm	pul.	kg/m	lb/ft
uni 2600-OV	<i>36D2600OVW</i>	61.5	2.42	2.0	1.34

* El peso mencionado se refiere a cadenas con soportes cada dos eslabones.

Sprocket

No of teeth	Pitch diameter		Overall-diameter		Min. ϕ bore		Max. ϕ bore		Hub-diameter		A-dimension		B-dimension		PA66 LG	Cast iron	SS304
	mm	in	mm	in	mm	in	mm	in	mm	in	mm	in	mm	in	Molded	Molded	Machined
Z6	127.0	5.00	128.0	5.04	20.0	0.79	40.0	1.57	63.0	2.48	40.8	1.61	78.1	3.07	x	x	
Z8	165.9	6.53	168.9	6.65	20.0	0.79	50.0	1.97	73.5	2.89	62.5	2.46	97.5	3.84	x	x	x
Z10	205.5	8.09	210.5	8.29	20.0	0.79	50.0	1.97	73.5	2.89	83.5	3.29	117.2	4.61	x	x	
Z11	225.4	8.87	231.4	9.11	20.0	0.79	50.0	1.97	73.5	2.89	93.9	3.70	127.1	5.00	x	x	

Non standard material and color:
See uni Material and Color Overview.

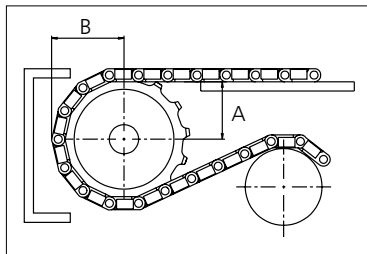
Machined sprocket



Cast iron sprocket



SS304 sprocket



Please ensure that sufficient size shaft and keyway are chosen for corresponding load.

Other sprocket sizes are available upon request

Width of tooth: 11.0 mm/0.43 in

Width of sprocket: 42.3 mm/1.66 in

uni Retainer Rings: See uni Retainer Ring data sheet