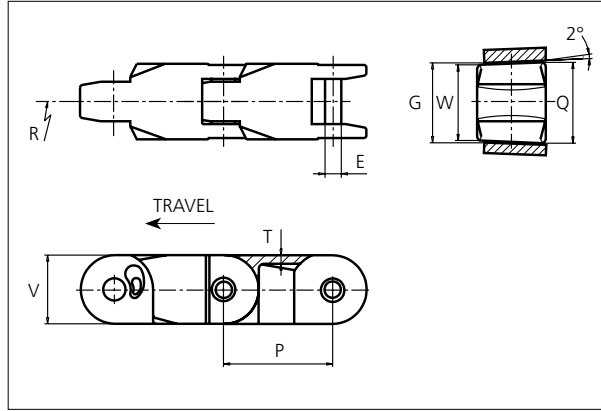


uni Flex Plastic Chain

Series **uni 2500** Type -



uni Flex Plastic Chain
 Side flexing chain
 Pitch: 63.5 mm (2.50 in)
 Backflex radius:
 75.0 mm (3.00 in)
 Permissible tensile strength:
 POM material:
 7500 N (1686 lbf)

 Standard shipping lengths:
 boxes of 96 links
 = 6.096 m (20.0 ft)

STANDARD

E		G		P		Q		T		V	
mm	in	mm	in	mm	in	mm	in	mm	in	mm	in
9.5	0.37	46.4	1.83	63.5	2.50	47.0	1.85	5.0	0.20	40.0	1.57

All dimensions are for chains in POM material.

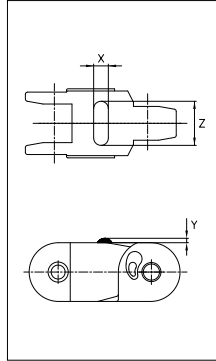
Width (W)		Material & color	Pin material	Weight		Min. radius (R)	
mm	in			kg/m	lb/ft	mm	in
44.0	1.73	POM-D W	SS304	2.0	1.34	600.0	23.62

Non standard material and color: See uni Material and Color Overview.
 Non standard pin material: See uni Material and Color Overview.

SIDE FLEXING

Accessories

Rubber Top/NON STANDARD




Link material	Rubber material	Z		X		Y	
		mm	in	mm	in	mm	in
POM-D W	05 I	30.0	1.18	10.0	0.39	3.0	0.12

When ordering, please state the required distance between the Rubber Top.

Other Non Standard rubber profiles:
 See uni Rubber Profile Overview

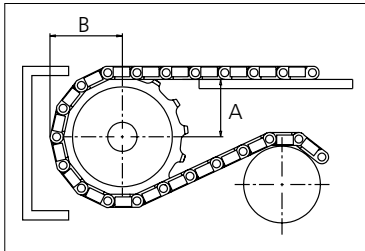
PITCH 63.5 MM/2.50 IN

Sprocket

No of teeth	Pitch diameter		Overall-diameter		Min. ø bore		Max. ø bore		Hub-diameter		Dimension A		Dimension B		 Machined PAG
	mm	in	mm	in	mm	in	mm	in	mm	in	mm	in	mm	in	
Z6	126.7	4.99	136.0	5.35	20.00	0.8	40.00	1.6	63.00	2.5	35.00	1.4	83.30	3.3	✓
Z8	165.7	6.52	176.0	6.93	20.00	0.8	40.00	1.6	73.50	2.9	56.70	2.2	102.80	4.0	✓
Z15	305.3	12.02	317.4	12.50	20.00	0.8	40.00	1.6	73.50	2.9	129.40	5.1	172.70	6.8	✓

Non standard material and color:
See uni Material and Color Overview.

Machined sprocket



Please ensure that sufficient size shaft and keyway are chosen for corresponding load.

Other sprocket sizes are available upon request
 Width of tooth: 11.0 mm/0.43 in
 Width of sprocket: 42.3 mm/1.66 in
 uni Retainer Rings: See uni Retainer Ring data sheet

