

# Guides for tracked tooth belts

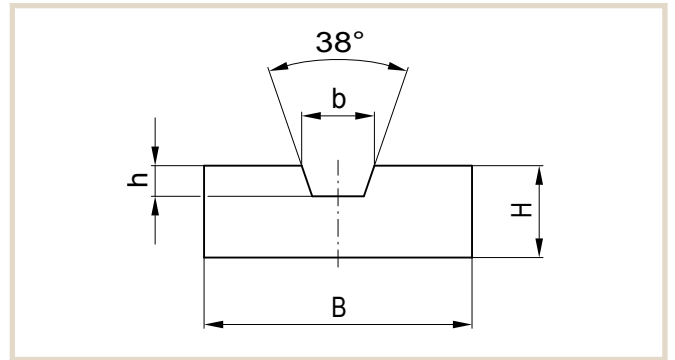
## TYPE FK



Belt type	B	H	b	h	Article no.
25/TK5	28	10	6.0	3.5	231 010 021
32/TK5	35	10	6.0	3.5	231 010 022
32/TK10*	35	12	9.5	4.0	231 010 023
50/TK10*	55	12	9.5	4.0	231 010 024
75/TK10	80	15	13.0	5.0	231 010 025
100/TK 10	105	15	13.0	5.0	231 010 026

Dimensions in mm

\* Standard for V-profile 10 x 6; specify any deviations!



## TYPE FKC



Belt type	C profile type	B1	B2	H	Hc	b	h	Article no.
25/TK 5		28		12	18	6.0	3.5	231 110 029
	C5		28					351 020 005
32/TK 5		35		12	18	6.0	3.5	231 110 030
	C5		28					351 020 005
32/TK10*		35		12	18	9.5	4.0	231 110 031
	C5		28					351 020 005
50/TK10*		55		15	18	9.5	4.0	231 110 032
	C4		50					351 020 004
75/TK10		80		15	18	13.0	5.0	231 110 033
	C6		80					351 020 006
100/TK10		105		15	18	13.0	5.0	231 110 034
	C6		80					351 020 006

Dimensions in mm

\* Standard for V-profile 10 x 6; specify any deviations!

