

MINI-TENSIONER

with arc segment profile



Tensioning pressure

- Choice of light or heavy spring force

Chain guide

- Track profile for 06B-1, 08B-1 and duplex chains

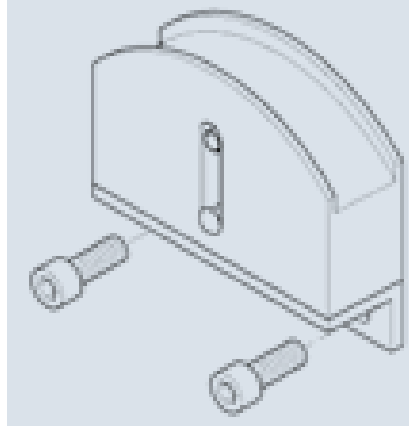
Attachment

- Screws on bracket base

Axis-centre distance

- Max. 200mm recommended

Attachment



DIN 8187 chain no.	Light tension force article no.	Heavy tension force article no.	Availability
<06B-1 (U profile)	281 050 001	281 050 002	●
06B-1	281 050 003	281 050 004	●
08B-1	281 050 009	281 050 010	●
05B-2	281 050 005	281 050 006	○
06B-2	281 050 007	281 050 008	○

Special and stainless steel designs on request

● Stocked ○ Available within 10 days

Installation variant

