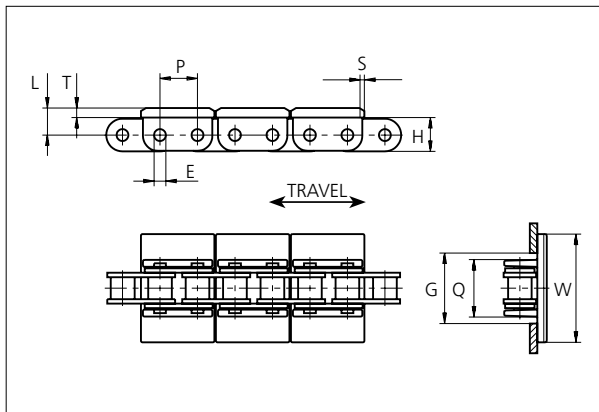


# Snap-On Plastic Chain

Series **uni 843** Type **SK**



**Snap-On Plastic Chain**  
 Straight running chain  
 Pitch: 12.7 mm (0.50 in)  
 Backflex radius:  
 K138: 250.0 mm (9.80 in)  
 K200: 150.0 mm (5.90 in)  
 Permissible tensile strength:  
 uni 843 SK with (SS304) stainless steel chain: 1500 N (340 lbf)  
 uni 843 SK with carbon steel chain: 2000 N (450 lbf)  
 Standard shipping lengths:  
 No. of roller chain links/box:  
 240 = 6.096 m (20.0 ft)  
 No. of flights/box:  
 120 = 6.096 m (20.0 ft)

	E		G		H		L		P		Q		S		T	
	mm	in	mm	in	mm	in	mm	in	mm	in	mm	in	mm	in	mm	in
<b>K138</b>	4.0	0.16	20.5	0.81	11.5	0.45	9.1	0.36	12.7	0.50	19.1	0.75	2.0	0.08	3.2	0.13
<b>K200</b>	4.0	0.16	20.5	0.81	11.5	0.45	9.1	0.36	12.7	0.50	19.1	0.75	4.0	0.16	3.2	0.13

All dimensions are for chains in POM material.

All Snap-On versions can be delivered either with a stainless steel chain (SS304) or a carbon steel chain.

	Width (W)		Flight material & color	Chain material	Weight	
	mm	in			kg/m	lb/ft
<b>K138</b>	34.9	1.37	POM-DI <b>G</b>	<b>SS304</b> or <b>Carbon steel</b>	0.9	0.60
<b>K200</b>	50.8	2.00	POM-LFI <b>BR</b>	<b>SS304</b> or <b>Carbon steel</b>	0.9	0.60

Non standard material and color: See uni Material and Color Overview.

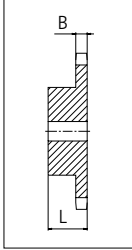
STANDARD

STRAIGHT RUNNING

PITCH 12.7 MM/0.50 IN

## Sprocket

No. of teeth	Pitch diameter		Hub diameter		Overall width L		Tooth width B		tBore	
	mm	in	mm	in	mm	in	mm	in	mm	in
<b>Z18</b>	73.1	2.88	56.0	2.20	28.0	1.10	7.2	0.28	12.0	0.47
<b>Z25</b>	101.3	3.99	70.0	2.76	28.0	1.10	7.2	0.28	14.0	0.55



**Please ensure that sufficient size shaft and keyway are chosen for corresponding load.**

Non standard material and color:  
See uni Material and Color Overview.

Other sprocket sizes are available upon request  
uni Retainer Rings: See uni Retainer Ring data sheet