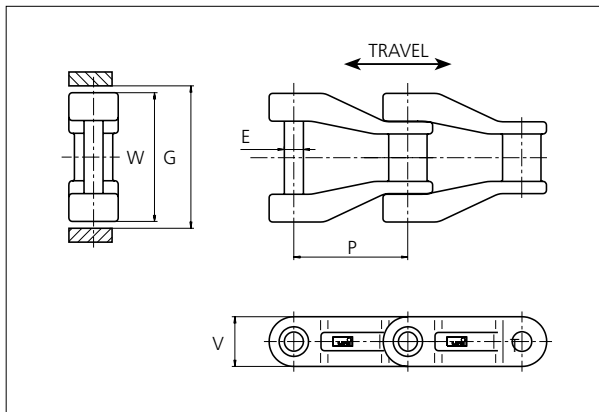


# Special Plastic Chain

Series **uni NH78** Type -



### Special Plastic Chain

Straight running chain  
 Pitch: 66.3 mm (2.61 in)  
 Backflex radius: 75.0 mm (3.00 in)  
 Permissible tensile strength:  
 T1: 9000 N (2023 lbf)  
 T2: 7000 N (1574 lbf)  
 T3: 6000 N (1349 lbf)  
 T4: 6000 N (1349 lbf)  
 T5: 5000 N (1124 lbf)

Standard shipping lengths:  
 boxes of 92 links  
 = 6.100 m (20.0 ft)

STANDARD

| E    |      | G    |      | P    |      | V    |      |
|------|------|------|------|------|------|------|------|
| mm   | in   | mm   | in   | mm   | in   | mm   | in   |
| 11.0 | 0.43 | 78.0 | 3.07 | 66.3 | 2.61 | 28.6 | 1.13 |

All dimensions are for chains in POM material.

### Standard material & colors

|             | Width (W) |      | Material & color   | Pin material | Pin fixing | Pin ø |      | Weight |       |
|-------------|-----------|------|--|--------------|------------|-------|------|--------|-------|
|             | mm        | in   |  |              |            | mm    | in   | kg/m   | lb/ft |
| uni NH78 T1 | 74.0      | 2.91 | POM-LF <span style="border: 1px solid black; padding: 2px;">BR</span><br>POM-D <span style="border: 1px solid black; padding: 2px;">G</span> | SS304        | Staked     | 11.0  | 0.43 | 2.1    | 1.41  |


### Non Standard material & colors

|             | Width (W) |      | Material & color   | Pin material | Pin fixing            | Pin ø |      | Weight |       |
|-------------|-----------|------|--|--------------|-----------------------|-------|------|--------|-------|
|             | mm        | in   |  |              |                       | mm    | in   | kg/m   | lb/ft |
| uni NH78 T2 | 74.0      | 2.91 | PBT-GR <span style="border: 1px solid black; padding: 2px;">K</span><br>PA6-GF <span style="border: 1px solid black; padding: 2px;">K</span> | SS304        | Staked                | 11.0  | 0.43 | 2.1    | 1.41  |
| uni NH78 T3 | 74.0      | 2.91 | PA6-GF <span style="border: 1px solid black; padding: 2px;">K</span>   | SS304        | Staked (PE sleeve)    | 10.0  | 0.39 | 2.1    | 1.41  |
| uni NH78 T4 | 74.0      | 2.91 | PA6-GF <span style="border: 1px solid black; padding: 2px;">K</span>   | SS304        | Cotterpin (PE sleeve) | 10.0  | 0.39 | 2.1    | 1.41  |
| uni NH78 T5 | 74.0      | 2.91 | PP-AR <span style="border: 1px solid black; padding: 2px;">N</span>  | SS304        | Staked                | 11.0  | 0.43 | 2.1    | 1.41  |

STRAIGHT RUNNING

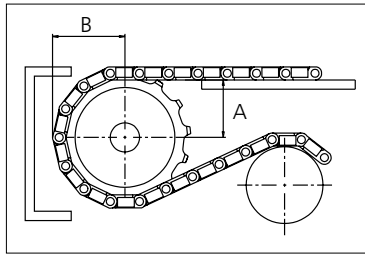
PITCH 66.3 MM/2.61 IN

## Sprocket

| No. of teeth | Pitch diameter |      | Overall-diameter |      | Min. ø bore |      | Max. ø bore |      | Hub-diameter |      | A-dimension |      | B-dimension |      | <br>Machined PA6 |
|--------------|----------------|------|------------------|------|-------------|------|-------------|------|--------------|------|-------------|------|-------------|------|---|
|              | mm             | in   | mm               | in   | mm          | in   | mm          | in   | mm           | in   | mm          | in   | mm          | in   |   |
| <b>Z6</b>    | 132.6          | 5.22 | 137.4            | 5.40 | 20.0        | 0.80 | 40.0        | 1.60 | 65.0         | 2.60 | 43.1        | 1.70 | 80.6        | 3.20 | ✓   |
| <b>Z8</b>    | 173.3          | 6.82 | 182.6            | 7.20 | 20.0        | 0.80 | 40.0        | 1.60 | 65.0         | 2.60 | 65.8        | 2.60 | 100.9       | 4.00 | ✓   |
| <b>Z10</b>   | 214.5          | 8.44 | 226.6            | 8.90 | 20.0        | 0.80 | 50.0        | 2.00 | 73.5         | 2.90 | 87.7        | 3.50 | 121.6       | 4.80 | ✓   |

Non standard material and color:  
See uni Material and Color Overview.

### Machined sprocket



Please ensure that sufficient size shaft and keyway are chosen for corresponding load.

Other sprocket sizes are available upon request  
 Width of tooth: 15.8 mm/0.62 in  
 Width of sprocket: 42.3 mm/1.67 in  
 uni Retainer Rings: See uni Retainer Ring data sheet