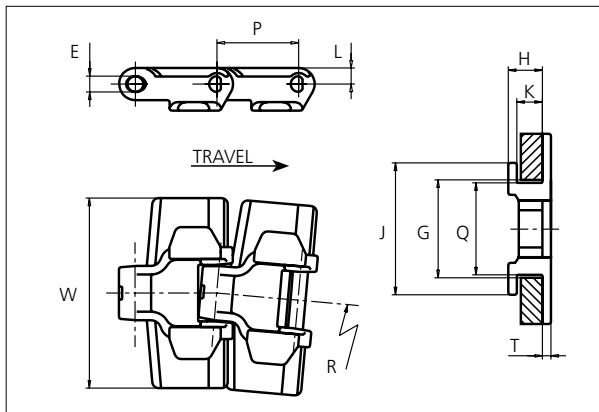


# Slat Top Plastic Chain

Series **uni 880** Type **Tab**



### Slat Top Plastic Chain

Side flexing chain  
 Pitch: 38.1 mm (1.50 in)  
 Backflex radius:  
 75.0 mm (3.00 in)  
 Permissible tensile strength:  
 POM material:  
 2250 N (506 lbf)  
  
 Standard shipping lengths:  
 boxes of 80 links  
 = 3.048 m (10.0 ft)

E		G		H		J		K		L		P		Q		T	
mm	in	mm	in	mm	in	mm	in	mm	in	mm	in	mm	in	mm	in	mm	in
7.1	0.28	44.5	1.75	15.9	0.63	61.5	2.42	11.9	0.47	7.5	0.30	38.1	1.50	43.1	1.70	4.0	0.16

All dimensions are for chains in POM material.

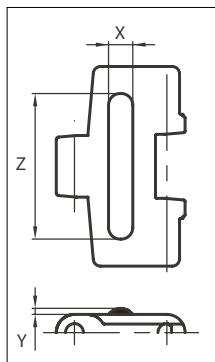
	Width (W)		Material & color	Pin material	Weight		Min. radius (R)		
	mm	in			kg/m	lb/ft	mm	in	
<b>K250</b>	63.5	2.50	-	-	-	-	-	-	
<b>K325</b>	82.6	3.25	POM-D <b>W</b> <b>G</b> POM-LF <b>BR</b> <b>B</b>	POM-SLF <b>DG</b> POM-EC <b>K</b>	<b>SS304</b>	1.0	0.67	400	15.75
<b>K350</b>	88.9	3.50	POM-LF <b>BR</b> <b>B</b>		<b>SS304</b>	1.0	0.67	400	15.75
<b>K450</b>	114.3	4.50	POM-D <b>W</b> <b>G</b> POM-LF <b>BR</b> <b>B</b>		<b>SS304</b>	1.1	0.74	400	15.75
<b>K750</b>	190.5	7.50	POM-D <b>W</b> <b>G</b> POM-LF <b>BR</b> <b>B</b>		<b>SS304</b>	1.5	1.00	400	15.75

Non standard material and color: See uni Material and Color Overview.

Non standard pin material: See uni Material and Color Overview.

## Accessories

### Rubber Top



When ordering, please state the required distance between the Rubber Top.

Other Non Standard rubber profiles:  
 See uni Rubber Profile Overview.

Width	Link material	Rubber material	Z		X		Y	
			mm	in	mm	in	mm	in
<b>K325</b>	POM-LF <b>BR</b>	05 <b>I</b>	60	2.36	10	0.39	2.5	0.10
<b>K350</b>	POM-LF <b>BR</b>	05 <b>I</b>	60	2.36	10	0.39	2.5	0.10
<b>K450</b>	POM-LF <b>BR</b>	05 <b>I</b>	90	3.54	10	0.39	2.5	0.10
<b>K750</b>	POM-LF <b>BR</b>	05 <b>I</b>	130	5.12	10	0.39	2.5	0.10



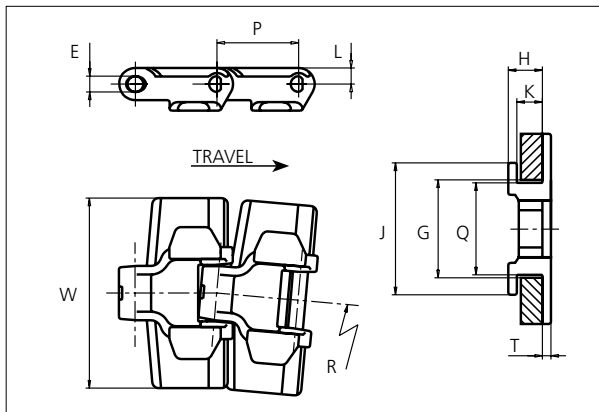
STANDARD

SIDE FLEXING

PITCH 38.1 MM/1.50 IN

# Slat Top Plastic Chain

Series **uni 880** Type **Tab R**



### Slat Top Plastic Chain

Side flexing chain  
 Pitch: 38.1 mm (1.50 in)  
 Backflex radius:  
 75.0 mm (3.00 in)  
 Permissible tensile strength:  
 POM material:  
 2250 N (506 lbf)  
  
 Standard shipping lengths:  
 boxes of 80 links  
 = 3.048 m (10.0 ft)

E		G		H		J		K		L		P		Q		T	
mm	in	mm	in	mm	in	mm	in	mm	in	mm	in	mm	in	mm	in	mm	in
7.1	0.28	44.5	1.75	15.9	0.63	61.5	2.42	11.9	0.47	7.5	0.30	38.1	1.50	43.1	1.70	4.0	0.16

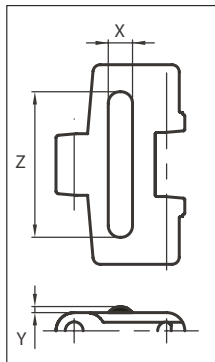
All dimensions are for chains in POM material.

	Width (W)		Material & color	Pin material	Weight		Min. radius (R)	
	mm	in			kg/m	lb/ft	mm	in
<b>K200</b>	50.6	2.00	-	-	-	-	-	-
<b>K250</b>	63.5	2.50	POM-LF <b>BR</b>	<b>SS304</b>	0.8	0.54	200	7.87
<b>K325</b>	82.6	3.25	POM-LF <b>BR</b> POM-SLF <b>DG</b>	<b>SS304</b>	1.0	0.67	200	7.87
<b>K450</b>	114.3	4.50	POM-LF <b>BR</b>	<b>SS304</b>	1.1	0.75	200	7.87

Non standard material and color: See uni Material and Color Overview.  
 Non standard pin material: See uni Material and Color Overview.

## Accessories

### Rubber Top



When ordering, please state the required distance between the Rubber Top.

Other Non Standard rubber profiles:  
 See uni Rubber Profile Overview.

Width	Link material	Rubber material	Z		X		Y	
			mm	in	mm	in	mm	in
<b>K325</b>	POM-LF <b>BR</b>	05 <b>I</b>	60	2.36	10	0.39	2.5	0.10

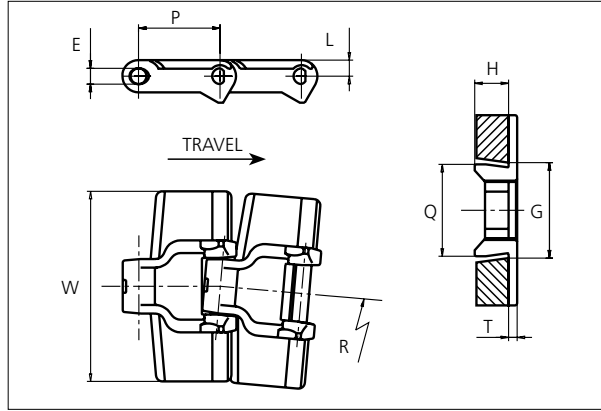
STANDARD

SIDE FLEXING

PITCH 38.1 MM/1.50 IN

# Slat Top Plastic Chain

Series **uni 880** Type -



**Slat Top Plastic Chain**  
 Side flexing chain  
 Pitch: 38.1 mm (1.50 in)  
 Backflex radius:  
 75.0 mm (3.00 in)  
 Permissible tensile strength:  
 POM material:  
 2250 N (506 lbf)  
  
 Standard shipping lengths:  
 boxes of 80 links  
 = 3.048 m (10.0 ft)

STANDARD

E		G*		G**		H		J		K		L		P		Q		T	
mm	in	mm	in	mm	in	mm	in	mm	in	mm	in	mm	in	mm	in	mm	in	mm	in
7.1	0.28	41.3	1.63	46.6	1.83	15.9	0.63	61.5	2.42	11.9	0.47	7.5	0.30	38.1	1.50	43.1	1.70	4.0	0.16

\*Curve, \*\* Straight

All dimensions are for chains in POM material.

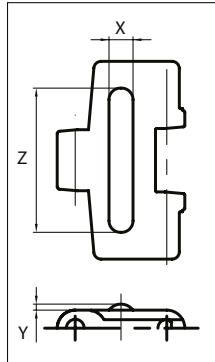
	Width (W)		Material & color	Pin material	Weight		Min. radius (R)	
	mm	in			kg/m	lb/ft	mm	in
<b>K250</b>	63.5	2.50	-	-	-	-	-	-
<b>K325</b>	82.6	3.25	POM-LF <b>BR</b>	<b>SS304</b>	0.9	0.60	400	15.75
<b>K350</b>	88.9	3.50	-	<b>SS304</b>	1.0	0.67	400	15.75
<b>K450</b>	114.3	4.50	POM-LF <b>BR</b>	<b>SS304</b>	1.4	0.94	400	15.75
<b>K750</b>	190.5	7.50	-	-	-	-	-	-

Non standard material and color: See uni Material and Color Overview.

Non standard pin material: See uni Material and Color Overview.

## Accessories

### Rubber Top



Width	Link material	Rubber material	Z		X		Y	
			mm	in	mm	in	mm	in
<b>K325</b>	POM-LF <b>BR</b>	05 <b>I</b>	60	2.36	10	0.39	2.5	0.10
<b>K450</b>	POM-LF <b>BR</b>	05 <b>I</b>	90	3.54	10	0.39	2.5	0.10

When ordering, please state the required distance between the Rubber Top.

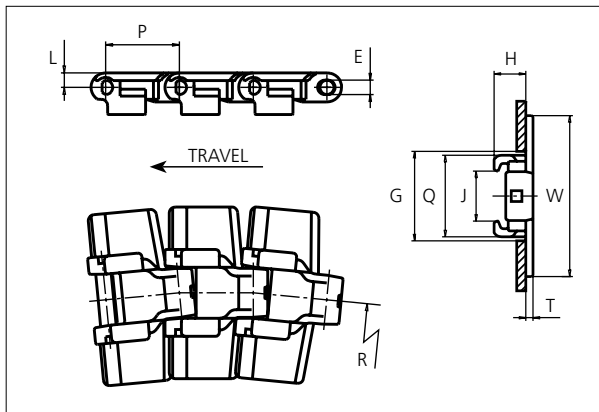
Other Non Standard rubber profiles: See uni Rubber Profile Overview.

SIDE FLEXING

PITCH 38.1 MM/1.50 IN

# Slat Top Plastic Chain

Series **uni 880** Type **Super Flex**



**Slat Top Plastic Chain**  
 Side flexing chain  
 Pitch: 38.1 mm (1.50 in)  
 Backflex radius:  
 75.0 mm (3.00 in)  
 Permissible tensile strength:  
 POM material:  
 2250 N (506 lbf)  
 Standard shipping lengths:  
 boxes of 80 links  
 = 3.048 m (10.0 ft)

E		G		H		J		L		P		Q		T	
mm	in	mm	in	mm	in	mm	in	mm	in	mm	in	mm	in	mm	in
7.0	0.28	46.0	1.81	17.5	0.69	27.5	1.08	7.5	0.30	38.1	1.50	42.3	1.67	4.0	0.16

All dimensions are for chains in POM material.

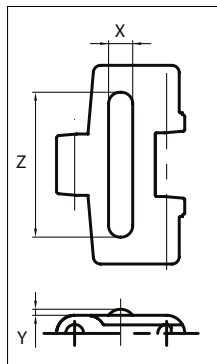
	Width (W)		Material & color	Pin material	Weight		Min. radius (R)	
	mm	in			kg/m	lb/ft	mm	in
<b>K250</b>	63.5	2.50	-	-	-	-	-	-
<b>K325</b>	82.6	3.25	POM-LF <b>BR</b>	<b>SS304</b>	1.0	0.67	457.0	17.99
<b>K350</b>	88.9	3.50	-	-	-	-	-	-
<b>K450</b>	114.3	4.50	POM-LF <b>BR</b>	<b>SS304</b>	1.1	0.67	610.0	24.02
<b>K750</b>	190.5	7.50	-	-	-	-	-	-

Non standard material and color: See uni Material and Color Overview.

Non standard pin material: See uni Material and Color Overview.

## Accessories

### Rubber Top



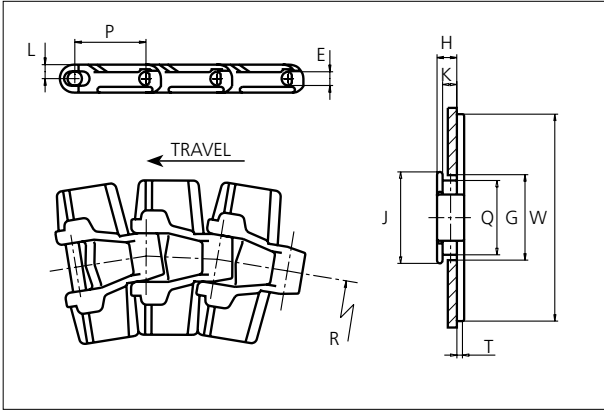
Width	Link material	Rubber material	Z		X		Y	
			mm	in	mm	in	mm	in
<b>K325</b>	POM-LF <b>BR</b>	05 <b>I</b>	60	2.36	10	0.39	2.5	0.10
<b>K450</b>	POM-LF <b>BR</b>	05 <b>I</b>	90	3.54	10	0.39	2.5	0.10

When ordering, please state the required distance between the Rubber Top.

Other Non Standard rubber profiles: See uni Rubber Profile Overview.

# Slat Top Plastic Chain

Series **uni 880** Type **Tab RT**



**Slat Top Plastic Chain**  
 Side flexing chain  
 Pitch: 38.1 mm (1.50 in)  
 Backflex radius:  
 75.0 mm (3.00 in)  
 Permissible tensile strength:  
 POM material:  
 2250 N (506 lbf)  
  
 Standard shipping lengths:  
 boxes of 80 links  
 = 3.048 m (10.0 ft)

E		G		H		J		K		L		P		Q		T	
mm	in	mm	in	mm	in	mm	in	mm	in	mm	in	mm	in	mm	in	mm	in
7.1	0.28	44.5	1.75	11.0	0.43	50.4	1.98	7.9	0.30	7.5	0.30	38.1	1.50	41.2	1.62	4.0	0.16

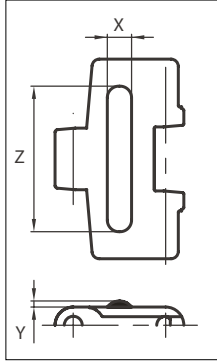
All dimensions are for chains in POM material.

	Width (W)		Material & color	Pin material	Weight		Min. radius (R)	
	mm	in			kg/m	lb/ft	mm	in
<b>K325</b>	82.6	3.25	POM-LF <b>BR</b>	<b>SS304</b>	0.9	0.60	200	7.87
<b>K450</b>	114.3	4.25	-	-	-	-	-	-

Non standard material and color: See uni Material and Color Overview.  
 Non standard pin material: See uni Material and Color Overview.

## Accessories

### Rubber Top



Width	Link material	Rubber material	Z		X		Y	
			mm	in	mm	in	mm	in
<b>K325</b>	POM-LF <b>BR</b>	05 <b>I</b>	60	2.36	10	0.39	2.5	0.10

When ordering, please state the required distance between the Rubber Top.

Other Non Standard rubber profiles: See uni Rubber Profile Overview.



STANDARD

SIDE FLEXING

PITCH 38.1 MM/1.50 IN

### Sprocket

No. of teeth	Pitch diameter		Overall diameter		Min. $\phi$ bore		Max. $\phi$ bore		Hub diameter		Dimension A		Dimension B		Molded PA6 LG	Molded Cast Iron
	mm	in	mm	in	mm	in	mm	in	mm	in	mm	in	mm	in		
Z9	111.4	4.39	109.7	4.32	20.0	0.80	40.0	1.60	70.0	2.76	55.9	2.20	63.2	2.49	✓	✓
Z10	123.3	4.85	122.3	4.81	20.0	0.80	40.0	1.60	70.0	2.76	62.2	2.45	69.2	2.72	✓	✓
Z11	135.2	5.32	134.8	5.31	20.0	0.80	40.0	1.60	70.0	2.76	68.4	2.69	75.1	2.96	✓	✓
Z12	147.2	5.80	147.2	5.80	20.0	0.80	40.0	1.60	70.0	2.76	74.6	2.94	81.1	3.19	✓	✓
Z15	183.3	7.22	184.3	7.26	20.0	0.80	40.0	1.60	70.0	2.76	93.2	3.67	99.2	3.91	✓	✓

### Two part sprocket

No. of teeth	Pitch diameter		Overall diameter		Min. $\phi$ bore		Max. $\phi$ bore		Hub diameter		Dimension A		Dimension B		Molded PA6 LG
	mm	in	mm	in	mm	in	mm	in	mm	in	mm	in	mm	in	
Z9	111.4	4.39	109.7	4.32	20.0	0.80	40.0	1.60	70.0	2.76	55.9	2.20	63.2	2.49	✓
Z10	123.3	4.85	122.3	4.81	20.0	0.80	40.0	1.60	70.0	2.76	62.2	2.45	69.2	2.72	✓
Z11	135.2	5.32	134.8	5.31	20.0	0.80	40.0	1.60	70.0	2.76	68.4	2.69	75.1	2.96	✓
Z12	147.2	5.80	147.2	5.80	20.0	0.80	40.0	1.60	70.0	2.76	74.6	2.94	81.1	3.19	✓

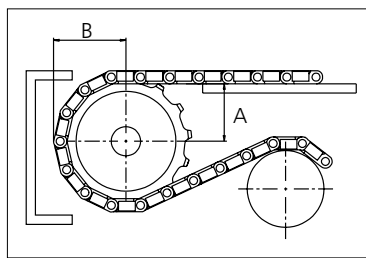
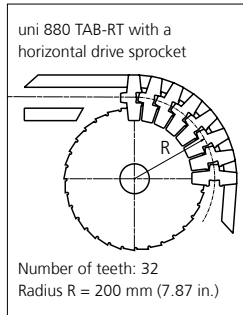
#### Molded sprocket



#### Cast iron sprocket



#### Molded two part sprocket



Please ensure that sufficient size shaft and keyway are chosen for corresponding load.

Non standard material and color:  
See uni Material and Color Overview.

Other sprocket sizes are available upon request  
Width of tooth: 15.8 mm/0.62 in  
Width of sprocket: 42.3 mm/1.67 in  
uni Retainer Rings: See uni Retainer Ring data sheet  
uni Idler: See uni Idler data sheet

