

Paso de 50.8 mm (2.00 pulgadas)



uni Flex L-ASB

Esta nueva generación de bandas curvas de paso de 2 pulgadas que se encuentra disponible con o sin lengüetas de sujeción presenta un diseño único patentado que proporciona una banda curva muy fuerte. Se encuentra asimismo disponible una versión con un radio de giro más ajustado denominada uni Flex L-ASB R. Esta nueva generación resulta más fácil de limpiar y, con el material POM-D, presenta unas buenas características de separación. La mayor estabilidad lateral permite la utilización de menos tiras de soporte de lo que es habitual en otras bandas. El diseño higiénico de esta banda recta y de giro lateral hace que resulte la banda de procesamiento ideal en aplicaciones

de enfriamiento, congelación, secado o fermentadores. La uni Flex L-ASB es una banda comprobada en aplicaciones espirales.

La Serie uni Flex L-ASB mejora el funcionamiento de las siguientes industrias/aplicaciones:

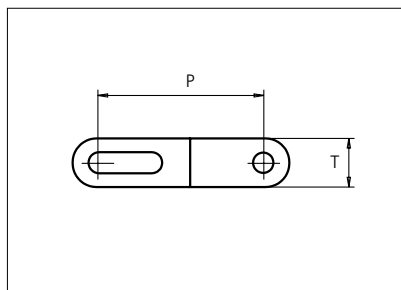
- Panadería, incluyendo manipulado de bandejas, líneas de enfriamiento, transporte interno y líneas de envasado cuando se requiere una fuerza elevada de la banda
- Cárnica y avícola, incluyendo líneas de empaquetado
- Aplicaciones espirales
- Industria del mueble

Características del producto:

- Material de POM-D estándar que contiene un componente autolubricante, mejores características antiadherentes y reducción de la fricción
- Fácil de limpiar gracias a un diseño higiénico de las bisagras
- Aplicación de radio ajustado que reduce los requisitos de espacio
- Se requieren menos tiras de soporte gracias a la mayor estabilidad lateral
- Disponible con unos factores de colapso de 2.2 y 1.6

Plastic Modular Belt

Series **uni Flex L-ASB** Type **47% Open (Radius 1.6)**



Sideflexing belt
 Nominal pitch: 50.8 mm (2.00 in)
 Surface type: Flat
 Surface opening: 47%
 Backflex radius: 100.0 mm (3.94 in)
 Pin diameter: 6.0 mm (0.24 in)
 Min. inside radius: 1.6 x belt width

Belt material & color	POM-D B W	PP B W	mm	in
	PA6.6 B		P (Nominal)	50.8
T			15.0	0.59

Non standard material and color: See uni Material and Color Overview.
 Alternative pin and lock systems and materials: Contact Customer Service.

Belt width		Permissible tensile force (Belt/pin material)								Belt weight (Belt/pin material)				*Min. No. drive sprocket per shaft	Number of wear strips (Min. No.)	
		POM-D/PA6.6				PP/PA6.6				POM-D/PA6.6		PP/PA6.6			**Carry (pcs)	**Return (pcs)
		Straight sections		Curve sections		Straight sections		Curve sections		kg/m	lb/ft	kg/m	lb/ft			
mm	in	N	lbf	N	lbf	N	lbf	N	lbf	kg/m	lb/ft	kg/m	lb/ft			
250	9.8	10000	2248	2440	549	5000	1124	1440	324	2.5	1.65	1.5	1.01	2	2	2
326	12.8	13040	2931	2440	549	6520	1466	1440	324	3.2	2.15	2.0	1.31	3	3	2
403	15.9	16120	3624	3110	699	8060	1812	1960	441	3.9	2.65	2.4	1.63	3	3	2
479	18.9	19160	4307	3110	699	9580	2154	1960	441	4.7	3.15	2.9	1.93	5	4	2
555	21.9	22200	4991	3110	699	11100	2495	1960	441	5.4	3.66	3.3	2.24	5	4	2
631	24.8	25240	5674	3110	699	12620	2837	1960	441	6.2	4.16	3.8	2.54	5	5	3
708	27.9	28320	6366	3110	699	14160	3183	1960	441	6.9	4.66	4.2	2.85	5	5	3
784	30.9	31360	7050	3110	699	15680	3525	1960	441	7.7	5.16	4.7	3.16	7	6	3
860	33.9	34400	7733	3110	699	17200	3867	1960	441	8.4	5.66	5.2	3.47	7	6	3
936	36.9	37440	8417	3110	699	18720	4208	1960	441	9.2	6.16	5.6	3.77	7	7	4
1013	39.9	40520	9109	3110	699	20260	4554	1960	441	9.9	6.67	6.1	4.08	7	7	4
1089	42.9	43560	9792	3110	699	21780	4896	1960	441	10.7	7.17	6.5	4.39	9	8	4

Additional non-standard belt widths are available in steps of 25.4 mm (1.00 in).
 General belt tolerance is +0/-0.4% at 23°C/73°F. For exact belt width contact Customer Service. Non standard belt width on request.
 *Max. Load per Drive Sprocket. Belt material: POM-D 2500 N (562 lbf), PP 1200 N (270 lbf).
 **Max. Spacing between wear strips, Carry: 152.0 mm (6.00 in); Return: 304.0 mm (12.00 in).
 = Single Link



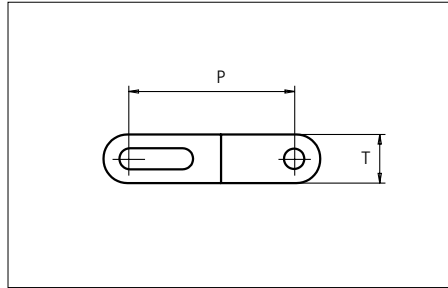
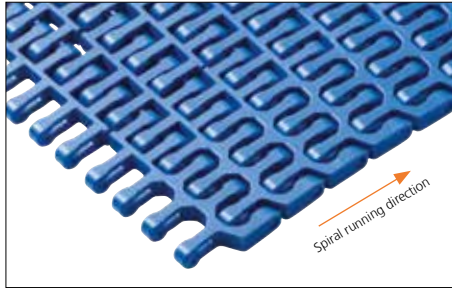
STANDARD

SIDE FLEXING

PITCH 50.8 MM/2.00 IN

Plastic Modular Belt

Series **uni Flex L-ASB** Type **47% Open (Radius 2.5/3.0/3.5/4.0)**



Sideflexing belt
 Nominal pitch: 50.8 mm (2.00 in)
 Surface type: Flat
 Surface opening: 47%/50%
 Backflex radius: 65.0 mm (2.56 in)
 Pin diameter: 6.0 mm (0.24 in)
 Min. inside radius:
 2.5 / 3.0 / 3.5 / 4.0 x belt width

Recommended Belt material & color	POM-D B		mm	in
Recommended Pin material & color	PA6.6 B		P (Nominal)	50.8
			T	15.0
				2.00
				0.59

Non standard material and color: See uni Material and Color Overview.
 Alternative pin and lock systems and materials: Contact Customer Service.

Belt width		Permissible tensile force (Belt/pin material)								Belt weight (Belt/pin material)				*Min. No. drive sprocket per shaft	Number of wear strips (Min. No.)	
		POM-D/PA6.6				PP/PA6.6				POM-D/PA6.6		PP/PA6.6			**Carry (pcs)	**Return (pcs)
		Straight sections		Curve sections		Straight sections		Curve sections		kg/m	lb/ft	kg/m	lb/ft			
mm	in	N	lbf	N	lbf	N	lbf	N	lbf	kg/m	lb/ft	kg/m	lb/ft			
250	9.8	10000	2248	2440	549	5000	1124	1440	324	2.5	1.65	1.5	1.01	2	2	2
326	12.8	13040	2931	2440	549	6520	1466	1440	324	3.2	2.15	2.0	1.31	3	3	2
403	15.9	16120	3624	3110	699	8060	1812	1960	441	3.9	2.65	2.4	1.63	3	3	2
479	18.9	19160	4307	3110	699	9580	2154	1960	441	4.7	3.15	2.9	1.93	5	4	2
555	21.9	22200	4991	3110	699	11100	2495	1960	441	5.4	3.66	3.3	2.24	5	4	2
631	24.8	25240	5674	3110	699	12620	2837	1960	441	6.2	4.16	3.8	2.54	5	5	3
708	27.9	28320	6366	3110	699	14160	3183	1960	441	6.9	4.66	4.2	2.85	5	5	3
784	30.9	31360	7050	3110	699	15680	3525	1960	441	7.7	5.16	4.7	3.16	7	6	3
860	33.9	34400	7733	3110	699	17200	3867	1960	441	8.4	5.66	5.2	3.47	7	6	3
936	36.9	37440	8417	3110	699	18720	4208	1960	441	9.2	6.16	5.6	3.77	7	7	4
1013	39.9	40520	9109	3110	699	20260	4554	1960	441	9.9	6.67	6.1	4.08	7	7	4
1089	42.9	43560	9792	3110	699	21780	4896	1960	441	10.7	7.17	6.5	4.39	9	8	4

Additional standard belt widths are available in steps of 76.2 mm (3.00 in) Additional non-standard belt widths are available in steps of 25.4 mm (1.00 in)

1699	66.9	67960	15277	3110	699	33980	7639	1960	441	16.7	11.19	10.2	6.85	13	12	6
------	------	-------	-------	------	-----	-------	------	------	-----	------	-------	------	------	----	----	---

Additional standard belt widths are available in steps of 76.2 mm (3.00 in) Additional non-standard belt widths are available in steps of 25.4 mm (1.00 in)

1927	75.9	77080	17328	3110	699	38540	8664	1960	441	18.9	12.69	11.6	7.77	13	13	7
------	------	-------	-------	------	-----	-------	------	------	-----	------	-------	------	------	----	----	---

General belt tolerance is +0/-0.4% at 23°C/73°F. For exact belt width contact Customer Service. Non standard belt width on request.

*Max. Load per Drive Sprocket. Belt material: POM-D 2500 N (562 lbf), PP 1200 N (270 lbf).

**Max. Spacing between wear strips, Carry: 152.0 mm (6.00 in); Return: 304.0 mm (12.00 in).

= Single Link



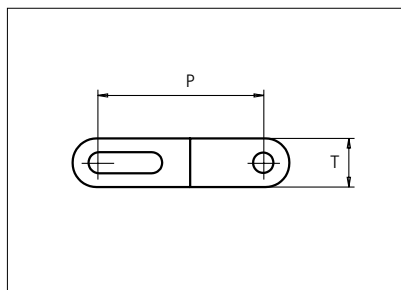
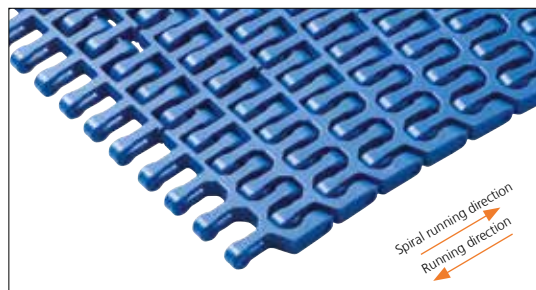
NON STANDARD

SIDE FLEXING

PITCH 25.4 MM/1.00 IN

Plastic Modular Belt

Series **uni Flex L-ASB** Type **47% Open (Radius 2.2)**



Sideflexing belt
 Nominal pitch: 50.8 mm (2.00 in)
 Surface type: Flat
 Surface opening: 47%
 Backflex radius: 100.0 mm (3.94 in)
 Pin diameter: 6.0 mm (0.24 in)
 Min. inside radius: 2.2 x belt width

Belt material & color	POM-D B W	PP B W			mm	in
	Pin and lock material & color		PA6.6 B	P (Nominal)	50.8	2.00
				T	15.0	0.59

Non standard material and color: See uni Material and Color Overview.
 Alternative pin and lock systems and materials: Contact Customer Service.

Belt width		Permissible tensile force (Belt/pin material)								Belt weight (Belt/pin material)				*Min. No. drive sprocket per shaft	Number of wear strips (Min. No.)	
		POM-D/PA6.6				PP/PA6.6				POM-D/PA6.6		PP/PA6.6			**Carry (pcs)	**Return (pcs)
		Straight sections		Curve sections		Straight sections		Curve sections		kg/m	lb/ft	kg/m	lb/ft			
mm	in	N	lbf	N	lbf	N	lbf	N	lbf	kg/m	lb/ft	kg/m	lb/ft			
250	9.8	10000	2248	2440	549	5000	1124	1440	324	2.5	1.65	1.5	1.01	2	2	2
326	12.8	13040	2931	2440	549	6520	1466	1440	324	3.2	2.15	2.0	1.31	3	3	2
403	15.9	16120	3624	3110	699	8060	1812	1960	441	3.9	2.65	2.4	1.63	3	3	2
479	18.9	19160	4307	3110	699	9580	2154	1960	441	4.7	3.15	2.9	1.93	5	4	2
555	21.9	22200	4991	3110	699	11100	2495	1960	441	5.4	3.66	3.3	2.24	5	4	2
631	24.8	25240	5674	3110	699	12620	2837	1960	441	6.2	4.16	3.8	2.54	5	5	3
708	27.9	28320	6366	3110	699	14160	3183	1960	441	6.9	4.66	4.2	2.85	5	5	3
784	30.9	31360	7050	3110	699	15680	3525	1960	441	7.7	5.16	4.7	3.16	7	6	3
860	33.9	34400	7733	3110	699	17200	3867	1960	441	8.4	5.66	5.2	3.47	7	6	3
936	36.9	37440	8417	3110	699	18720	4208	1960	441	9.2	6.16	5.6	3.77	7	7	4
1013	39.9	40520	9109	3110	699	20260	4554	1960	441	9.9	6.67	6.1	4.08	7	7	4
1089	42.9	43560	9792	3110	699	21780	4896	1960	441	10.7	7.17	6.5	4.39	9	8	4

Additional standard belt widths are available in steps of 76.2 mm (3.00 in). Additional non-standard belt widths are available in steps of 25.4 mm (1.00 in).

1699	66.9	67960	15277	3110	699	33980	7639	1960	441	16.7	11.19	10.2	6.85	13	12	6
------	------	-------	-------	------	-----	-------	------	------	-----	------	-------	------	------	----	----	---

Additional standard belt widths are available in steps of 76.2 mm (3.00 in). Additional non-standard belt widths are available in steps of 25.4 mm (1.00 in).

1927	75.9	77080	17328	3110	699	38540	8664	1960	441	18.9	12.69	11.6	7.77	13	13	7
------	------	-------	-------	------	-----	-------	------	------	-----	------	-------	------	------	----	----	---

General belt tolerance is +0/-0.4% at 23°C/73°F. For exact belt width contact Customer Service. Non standard belt width on request.

*Max. Load per Drive Sprocket. Belt material: POM-D 2500 N (562 lbf), PP 1200 N (270 lbf).

**Max. Spacing between wear strips, Carry: 152.0 mm (6.00 in); Return: 304.0 mm (12.00 in).

= Single Link



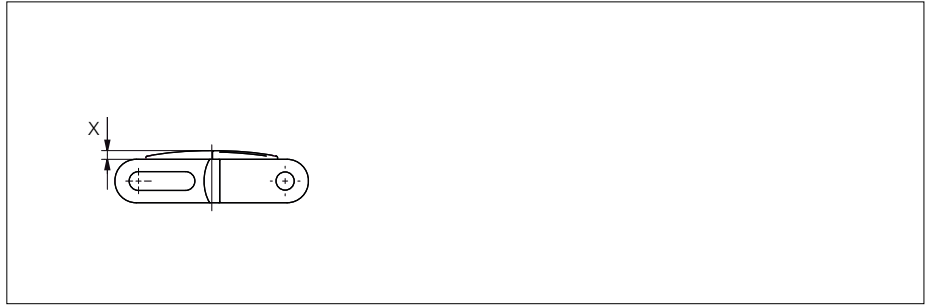
STANDARD

SIDE FLEXING

PITCH 50.8 MM/2.00 IN

Accessories

Rubber Top



Type	Belt material & color	Rubber material, hardness & color	X	
			mm	in
Curved	PP B	TPE-S Shore A60 K	3.0	0.12

uni Flex L-ASB Rubber Top Radius 2.2: Indent min. 71.0 mm (2.80 in) and Increment 25.4 mm (1.00).

Accessories

Side Guard Closed

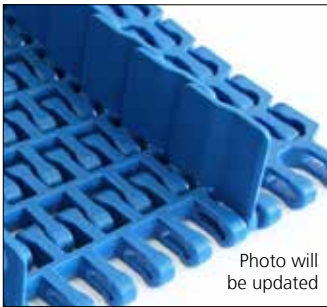
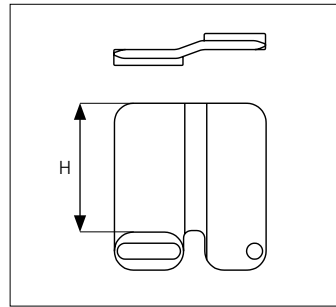


Photo will be updated



Side Guard Open

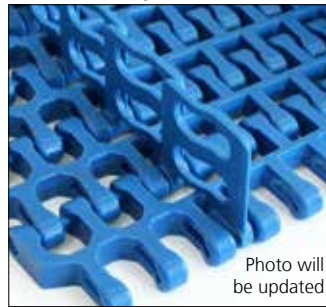
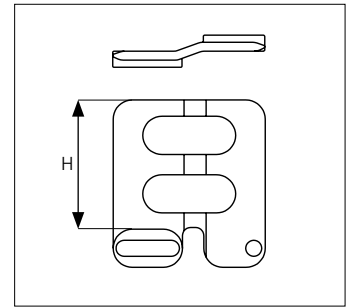
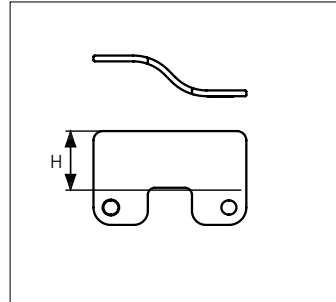
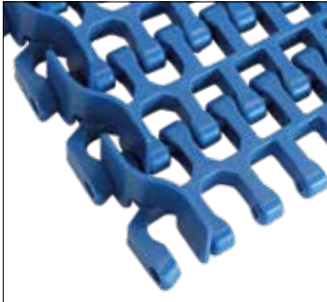


Photo will be updated



Side Guard Outside Closed



Type	Material & color	H	
		mm	in
Side Guard Closed	POM-D B	10.0	0.39
Side Guard Open		25.4	1.00
		50.0	1.97
Side Guard Outside Closed		25.4	1.00

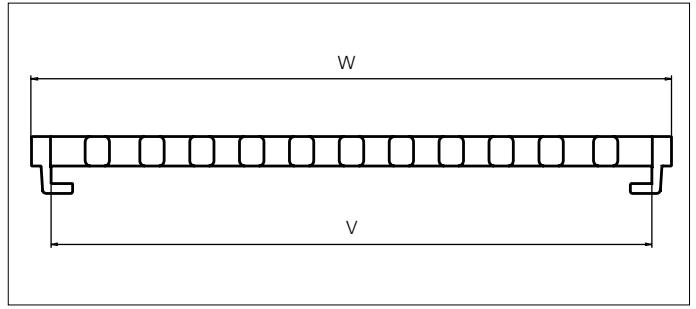
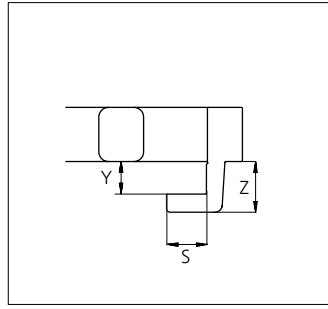
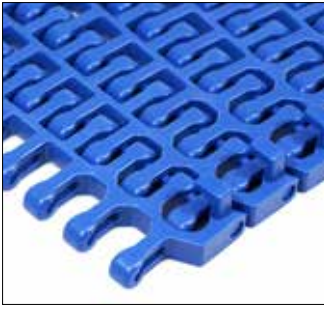
Min. indent for Side Guard Closed and Side Guard Open: 55.0 mm (2.17 in) and Increment 25.4 mm (1.00 in).

Min/max indent for Side Guard Outside Closed: 10.0 mm (0.39 in).

Non Standard material and color: See uni Material and Color Overview.

Accessories

Bottom Tab

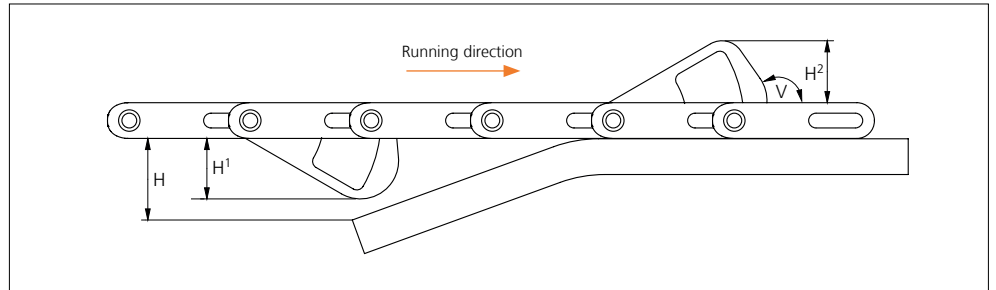


Type	Bottom Tab material and colors	S		V		W		Y		Z	
		mm	in	mm	in	mm	in	mm	in	mm	in
Hold Down Edge	POM-D B W	11.0	0.43	306.5	12.07	325.9	12.83	9.0	0.35	14.0	0.55
	PP B W										

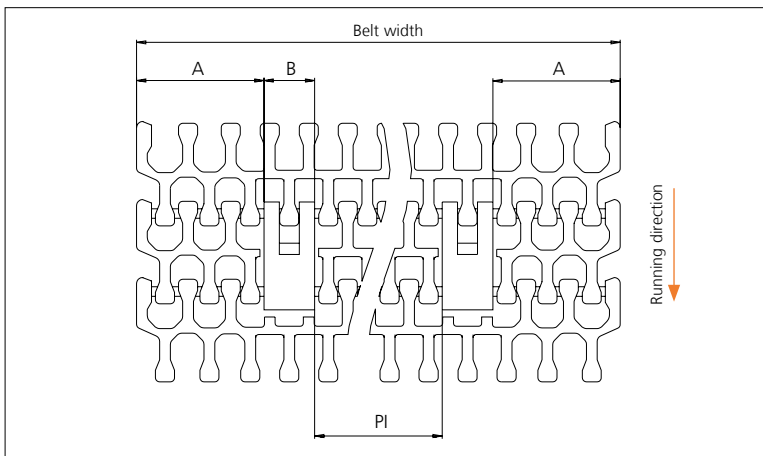
Non Standard material and color: See uni Material and Color Overview.

Accessories

AmFlight



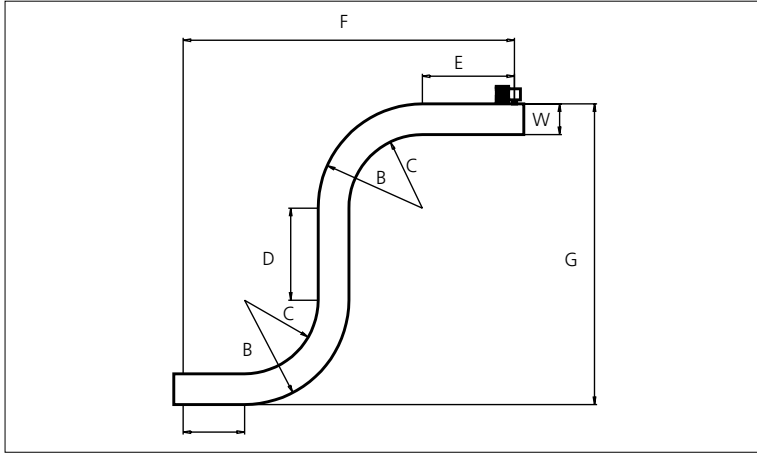
Type	Material & color	H	H ¹		H ²		V
			mm	in	mm	in	
Push	PE W	H > H ¹	25.4	1.00	26.0	1.02	125°



	mm	in
A min	83.0	3.27
B	33.0	1.30
PI min	68.5	2.70

Increment: 25.4 mm (1.00 in).


Design Guidelines



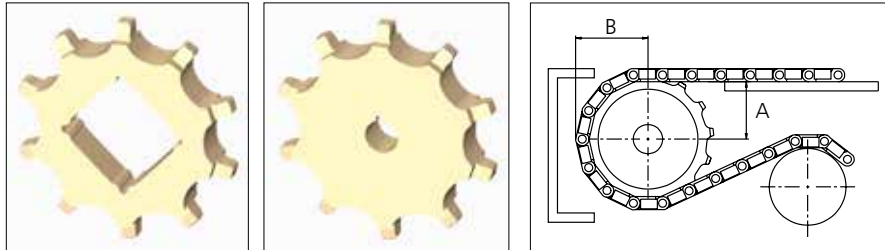
uni Flex L-ASB R2.2	
A	min. 1.5 x W
B	min. 3.2 x W
C	min. 2.2 x W
D	min. 2.0 x W
E	min. 2.0 x W
F	min. 8.9 x W
G	min. 8.4 x W

For min. conveyor dimensions please refer to sketch and diagram.

Sprocket

No. of teeth	Bore size								Overall diameter		Pitch diameter		Hub diameter		Dimension A		Dimension B		Single row/Two way	Machined 
	Pilot Bore																			
	in	1.00	1.18	1.25	1.50	1.57	2.50	mm	in	mm	in	mm	in	mm	in	mm	in			
Z08	✓		●	●				134.6	5.30	131.5	5.18	107.6	4.23	54.4	2.14	74.9	2.95	✓	✓	
Z10	✓		●	●	●			168.3	6.63	164.0	6.46	141.3	5.56	71.4	2.81	90.8	3.57	✓	✓	
Z12	✓		●	●	●	●	■	203.5	8.01	196.5	7.74	176.5	6.94	88.2	3.47	106.8	4.20	✓	✓	
Z15	✓		●	●	●	●	■	253.4	9.98	245.4	9.66	226.4	8.91	113.2	4.46	131.0	5.16	✓	✓	

■ Machined sprocket ● Machined sprocket



Non standard material and color: See uni Material and Color Overview.

Other sprocket sizes are available upon request
 Two-part sprocket are available upon request
 Other bore sizes are available upon request
 uni Retainer Rings: See uni Retainer Ring data sheet
 Width of tooth = 15.0 mm (0.59 in)
 Width of sprocket = 30.0 mm (1.18 in)

Max. load per sprocket shown does not take bore size into account.
 Please also ensure that sufficient size shaft is chosen for corresponding load.

For correct sprocket position: See uni Assembly Instructions for uni Flex L-ASB.
 For more detailed sprocket information, contact Customer Service.